

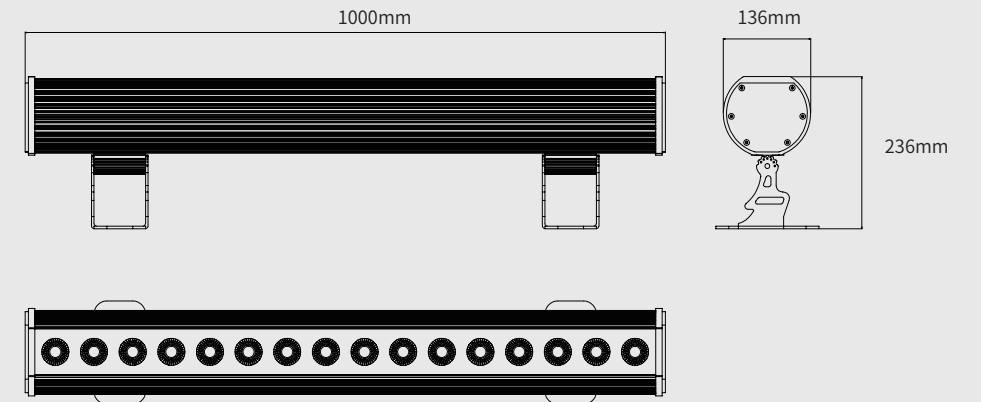
LED WALLWASHER

ROTECH LED

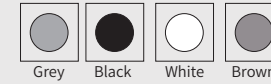


Product introduction:

Tough strong design, IP66 wallwasher light, fashion and beautiful appearance, with the design of increasing heat dissipation to fully ensure the stability and long lifespan of led fixtures. the light body adopts #6063 aluminium alloy molding, surface with anodizing treatment, lampshade adopts imported tempered glass, has excellent rainwater clean ability.



Housing finish



Model No	RLLNWW-150-RGBWW		
LED Brand	CREE XML2700K,3000K,4000K,5700K,6500K	Osram 5050 RGB 3IN1	Osram 5050 4IN1
LED Quantity	18PCS	18pcs	16PCS
Color Temp	2700K/3000K/4000K/5700K/6500K/R/G/B		
Beam angle	White CCT: 3°/8° /25° /10x45°		RGB/RGBW: 8° /25° /10x45°
Control Mode	ON/OFF		DMX512
Power consumption	150W		
Operation Voltage	AC 100-277V		
Material	Anodized oxidation aluminium body+Tempered glass		
Operation Temperature	~25°C to 50°C		
Weight	10KG		
Dimensions(LxWxH)	L1000×W136×H236MM		
Mounting Options	Mounting holes on the mounting brackets(included)		

Lumen Output 3000K: 50lm/w,7749LM in total, 74000cd; RGBW: 35lm/W, 4560LM in total, 42000 cd

Optical Parameters

Beam angle + Colors 25°, 3000K / 15°, RGBW

