

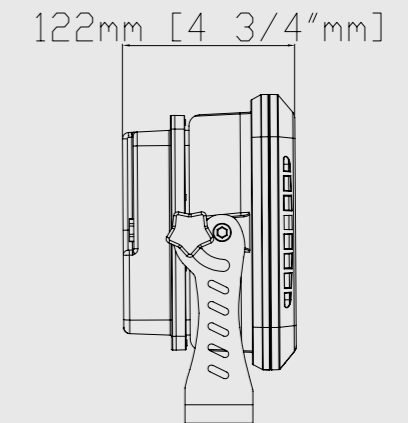
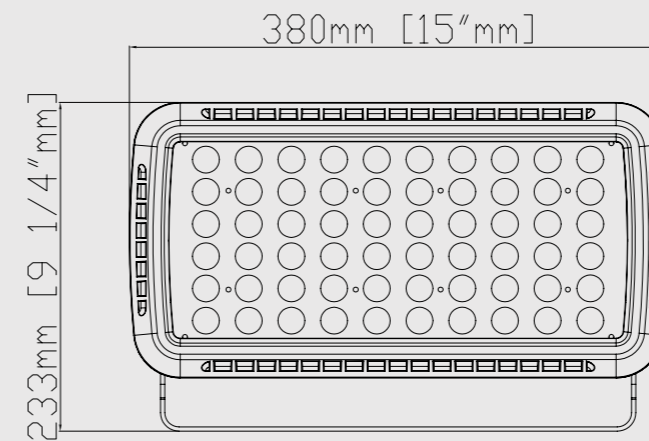
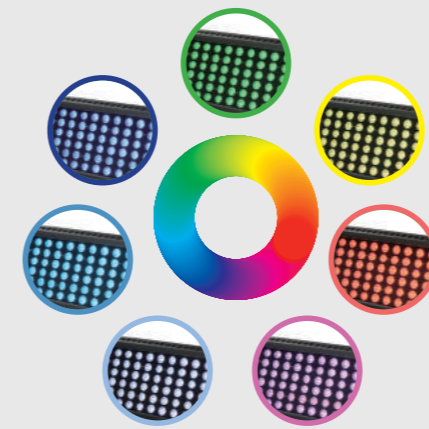
LED FLOOD LIGHT

ROTECH LED

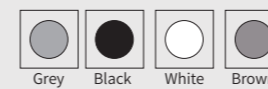



FC CE CB ROHS

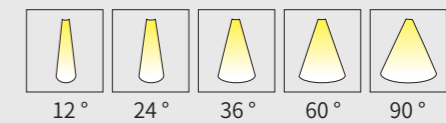
IP65



Housing finish



Optics



Product model	RL-FL07-01
Installation method	Surface Mounting
Dimensions	Ø380xH233xW122mm
Color(CCT)	RGB,RGBW,WW,NW,CW,R,G,B
Control	Auto running/DMX512/P2/Remote
Power Consumption	100/150 W
Operating Voltage	AC100-277V/DC36V
LED Qty	60PCS
Housing Material	Die cast aluminum,Tempered glass
IP Rating	IP65
Operating Temperature	-40~+50° C
Warranty	3 Years