



LED Bollards




### RL5020 LED 10W

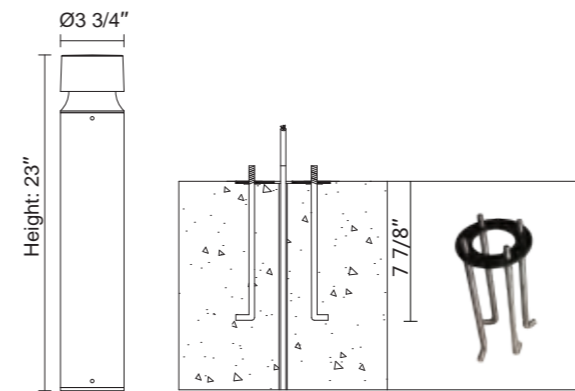
#### Applications

LED bollard featuring a sleek appearance of extruded aluminium column with choices of surface finish and creating an axially symmetric, broad and uniform beam spread, ideally suited for illumination of walkways, entrances and access roads.

#### Specifications

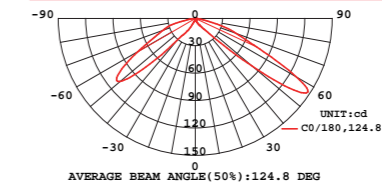
Housing body	Extruded aluminum
Housing Top	Die-cast aluminum
Gasket	Silicone rubber
LED Optic	Polycarbonate Lens
Surface Finish	AkzoNobel powder coating
Driver Type	Constant current
Input Voltage	120~277V/AC
Ambient Temperature	-20°C~45°C
Light Aperture	360°
Ingress Protection	IP65
Certifications	

#### Dimensions



Four anchor bolts included (standard)

#### Photometric Data



#### Ordering Guide:

Example: **RL5020 - C10-23-4 - 4 - 80 - B - DMG**

1 Series	2 Power-Height-Diameter	3 CCT	4 Ra	5 Housing Color	6 Accessories
RL5020	C10-23-4: LED 10W-23"-4"	3: 3000K 4: 4000K 6: 6000K	80: Ra80	B: Black RAL9011 W: White RAL9016 G: Gray RAL7012 Z: Mineral bronze S: Silver RAL9006	M: Marine ambient corrosion resistance DMG: 0-10V Dimming



## Specifications

Housing body	Extruded aluminum
Housing Top	Die-cast aluminum
Gasket	Silicone rubber
LED Optic	Polycarbonate Lens
Surface Finish	AkzoNobel powder coating
Driver Type	Constant current
Input Voltage	120~277V/AC
Ambient Temperature	-20°C~45°C
Light Aperture	360°
Ingress Protection	IP65

Certifications

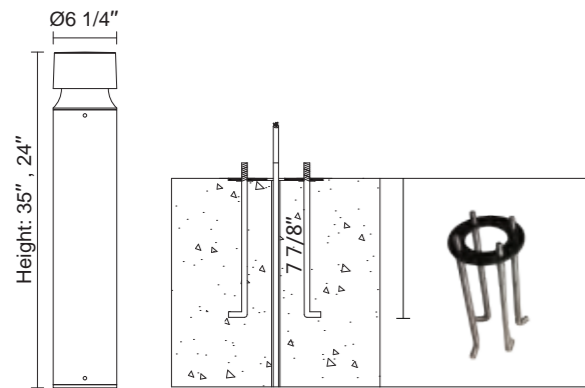


## RL5021 LED 14W

### Applications

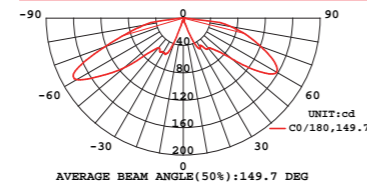
LED bollard featuring a sleek appearance of extruded aluminium column with choices of height and surface finish and creating an axially symmetric, broad and uniform beam spread, ideally suited for illumination of walkways, entrances and access roads.

### Dimensions



Four anchor bolts included (standard)

### Photometric Data



### Ordering Guide:

Example: RL5021 - C14-24-6 - 4 - 80 - B - DMG

1 Series	2 Power-Height-Diameter	3 CCT	4 Ra	5 Housing Color	6 Accessories
RL5021	C14-24-6: LED 14W-24"-6" C14-35-6: LED 14W-35"-6"	3: 3000K 4: 4000K 6: 6000K	80: Ra80	B: Black RAL9011 W: White RAL9016 G: Gray RAL7012 Z: Mineral bronze S: Silver RAL9006	M: Marine ambient corrosion resistance DMG: 0-10V Dimming



## Specifications

Housing body	Extruded aluminum
Housing Top	Die-cast aluminum
Gasket	Silicone rubber
LED Optic	Polycarbonate Lens
Surface Finish	AkzoNobel powder coating
Driver Type	Constant current
Input Voltage	100~240V/AC
Ambient Temperature	-20°C~45°C
Light Aperture	360°
Ingress Protection	IP65

Certifications

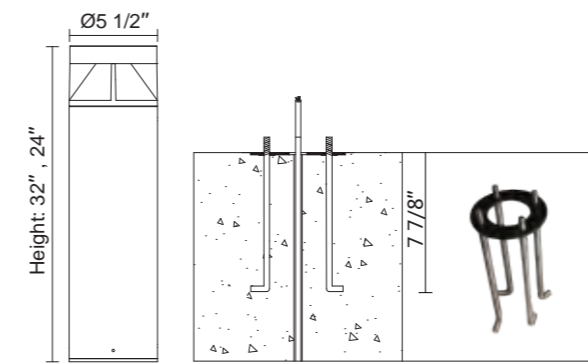


## RL5023 LED 10W

### Applications

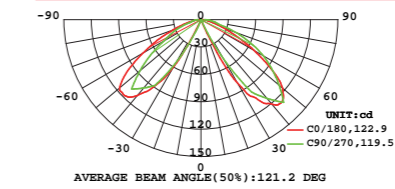
LED bollard featuring a sleek appearance of extruded aluminium column with choices of height and surface finish and creating an axially symmetric, broad and uniform beam spread, ideally suited for illumination of walkways, entrances and access roads.

### Dimensions



Four anchor bolts included (standard)

### Photometric Data



### Ordering Guide:

Example: RL5023 - C10-24-6 - 4 - 80 - B - DMG

1 Series	2 Power-Height-Diameter	3 CCT	4 Ra	5 Housing Color	6 Accessories
RL5023	C10-24-6: LED 10W-24"-6" C10-32-6: LED 10W-32"-6"	3: 3000K 4: 4000K 6: 6000K	80: Ra80	B: Black RAL9011 W: White RAL9016 G: Gray RAL7012 Z: Mineral bronze S: Silver RAL9006	M: Marine ambient corrosion resistance



## RL5024 LED 20W, 35W

### Applications

LED bollard featuring a sleek appearance of extruded aluminium column with choices of height and surface finish and creating an axially symmetric, broad and uniform beam spread, ideally suited for illumination of walkways, entrances and access roads.

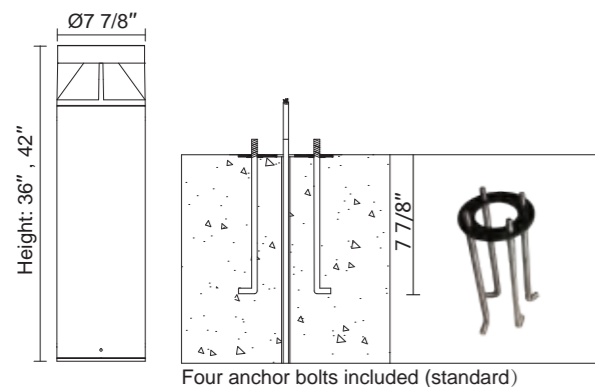
### Specifications

Housing body	Extruded aluminum
Housing Top	Die-cast aluminum
Gasket	Silicone rubber
LED Optic	Polycarbonate Lens
Surface Finish	AkzoNobel powder coating
Driver Type	Constant current
Input Voltage	120~277V/AC
Ambient Temperature	-20°C~45°C
Light Aperture	360°
Ingress Protection	IP65

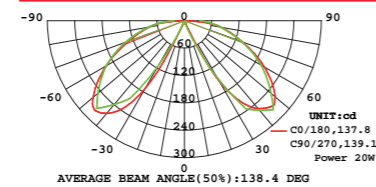
Certifications



### Dimensions



### Photometric Data



### Ordering Guide:

Example: **RL5024 - C20-36-8 - 4 - 80 - B - DMG**

1 Series	2 Power-Height-Diameter	3 CCT	4 Ra	5 Housing Color	6 Accessories
RL5024	C20-36-8: LED 20W-36"-8" C35-36-8: LED 35W-36"-8" C35-42-8: LED 35W-42"-8"	3: 3000K 4: 4000K 6: 6000K	80: Ra80	B: Black RAL9011 W: White RAL9016 G: Gray RAL7012 Z: Mineral bronze S: Silver RAL9006	M: Marine ambient corrosion resistance DMG: 0-10V Dimming (For 20W only)



## RL5025 LED 10W

### Applications

LED bollard featuring a sleek appearance of extruded aluminium column with choices of height and surface finish and creating an axially symmetric, broad and uniform beam spread, ideally suited for illumination of walkways, entrances and access roads.

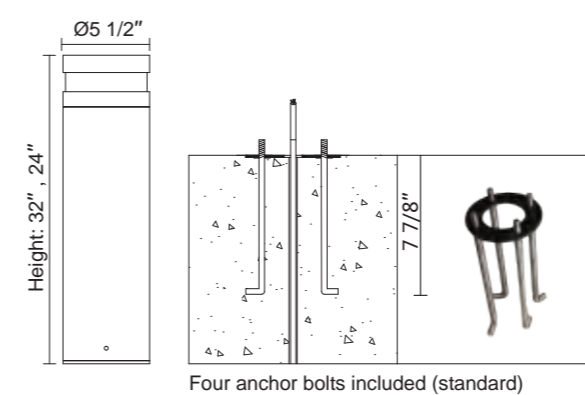
### Specifications

Housing body	Extruded aluminum
Housing Top	Die-cast aluminum
Gasket	Silicone rubber
LED Optic	Polycarbonate Lens
Surface Finish	AkzoNobel powder coating
Driver Type	Constant current
Input Voltage	100~240V/AC
Ambient Temperature	-20°C~45°C
Light Aperture	360°
Ingress Protection	IP65

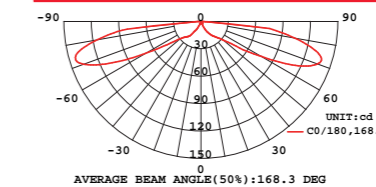
Certifications



### Dimensions



### Photometric Data



### Ordering Guide:

Example: **RL5025 - C10-24-6 - 4 - 80 - B - M**

1 Series	2 Power-Height-Diameter	3 CCT	4 Ra	5 Housing Color	6 Accessories
RL5025	C10-24-6: LED 10W-24"-6" C10-32-6: LED 10W-32"-6"	3: 3000K 4: 4000K 6: 6000K	80: Ra80 90: Ra90	B: Black RAL9011 W: White RAL9016 G: Gray RAL7012 Z: Mineral bronze S: Silver RAL9006	M: Marine ambient corrosion resistance



## RL5026 LED 20W, 35W

### Applications

LED bollard featuring a sleek appearance of extruded aluminium column with choices of height and surface finish and creating an axially symmetric, broad and uniform beam spread, ideally suited for illumination of walkways, entrances and access roads.

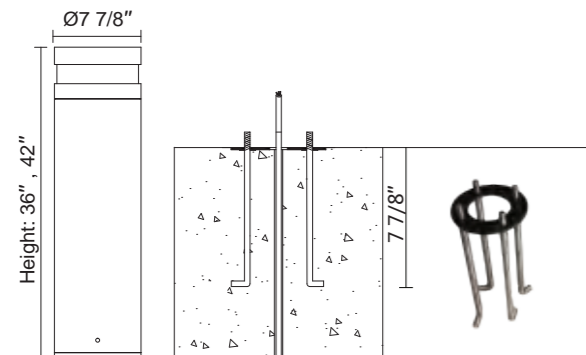
### Specifications

Housing body	Extruded aluminum
Housing Top	Die-cast aluminum
Gasket	Silicone rubber
LED Optic	Polycarbonate Lens
Surface Finish	AkzoNobel powder coating
Driver Type	Constant current
Input Voltage	120~277V/AC
Ambient Temperature	-20°C~45°C
Light Aperture	360°
Ingress Protection	IP65

Certifications

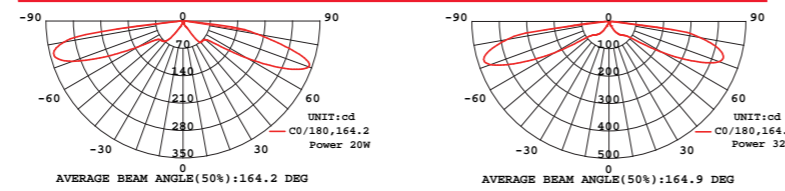


### Dimensions



Four anchor bolts included (standard)

### Photometric Data



### Ordering Guide:

Example: RL5026 - C35-42-8 - 4 - 80 - B - DMG

1 Series	2 Power-Height-Diameter	3 CCT	4 Ra	5 Housing Color	6 Accessories
RL5026	C20-36-8: LED 20W-36"-8" C35-36-8: LED 35W-36"-8" C35-42-8: LED 35W-42"-8"	3: 3000K 4: 4000K 6: 6000K	80: Ra80	B: Black RAL9011 W: White RAL9016 G: Gray RAL7012 Z: Mineral bronze S: Silver RAL9006	M: Marine ambient corrosion resistance DMG: 0-10V Dimming (For 20W only)



## RL5027 LED 10W

### Applications

LED bollard featuring a sleek appearance of extruded aluminium column with choices of height and surface finish and creating an axially symmetric, broad and uniform beam spread, ideally suited for illumination of walkways, entrances and access roads.

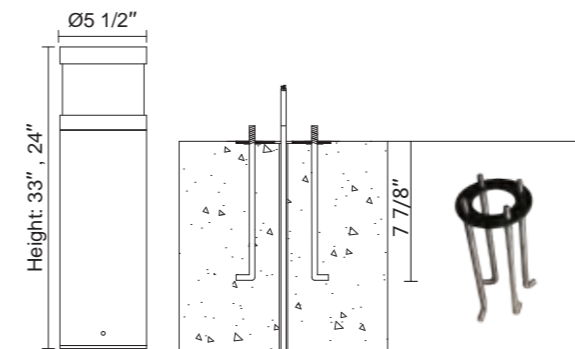
### Specifications

Housing body	Extruded aluminum
Housing Top	Die-cast aluminum
Gasket	Silicone rubber
LED Optic	Polycarbonate Lens
Surface Finish	AkzoNobel powder coating
Driver Type	Constant current
Input Voltage	120~277V/AC
Ambient Temperature	-20°C~45°C
Light Aperture	360°
Ingress Protection	IP65

Certifications

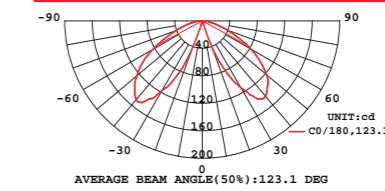


### Dimensions



Four anchor bolts included (standard)

### Photometric Data




### Ordering Guide:

Example: RL5027 - C10-24-6 - 4 - 80 - B - M

1 Series	2 Power-Height-Diameter	3 CCT	4 Ra	5 Housing Color	6 Accessories
RL5027	C10-24-6: LED 10W-24"-6" C10-33-6: LED 10W-33"-6"	3: 3000K 4: 4000K 6: 6000K	80: Ra80	B: Black RAL9011 W: White RAL9016 G: Gray RAL7012 Z: Mineral bronze S: Silver RAL9006	M: Marine ambient corrosion resistance



## Specifications

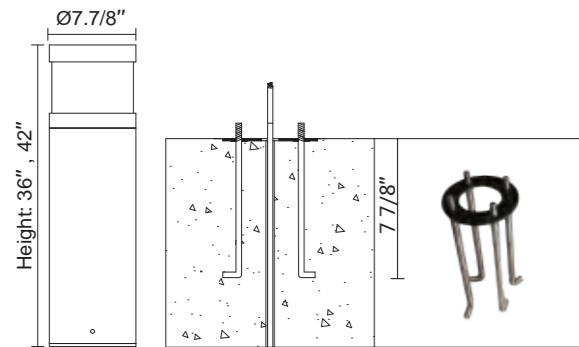
Housing body	Extruded aluminum
Housing Top	Die-cast aluminum
Gasket	Silicone rubber
LED Optic	Polycarbonate Lens
Surface Finish	AkzoNobel powder coating
Driver Type	Constant current
Input Voltage	120~277V/AC
Ambient Temperature	-20°C~45°C
Light Aperture	360°
Ingress Protection	IP65
Certifications	

## RL5028 LED 20W, 35W

### Applications

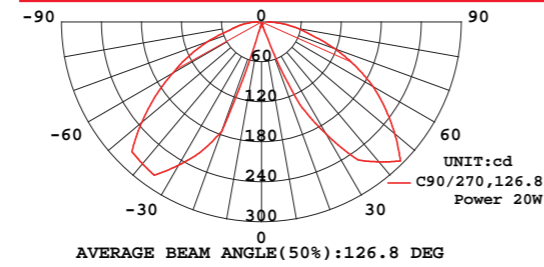
LED bollard featuring a sleek appearance of extruded aluminium column with choices of height and surface finish and creating an axially symmetric, broad and uniform beam spread, ideally suited for illumination of walkways, entrances and access roads.

## Dimensions



Four anchor bolts included (standard)

## Photometric Data




## Ordering Guide:

Example: RL5028 - C20-36-8 - 4 - 80 - B - DMG

1 Series	2 Power-Height-Diameter	3 CCT	4 Ra	5 Housing Color	6 Accessories
ET5028	C20-36-8: LED 20W-36"-8" C35-36-8: LED 35W-36"-8" C35-42-8: LED 35W-42"-8"	3: 3000K 4: 4000K 6: 6000K	80: Ra80	B: Black RAL9011 W: White RAL9016 G: Gray RAL7012 Z: Mineral bronze S: Silver RAL9006	M: Marine ambient corrosion resistance DMG: 0-10V Dimming (For 20W only)



## Specifications

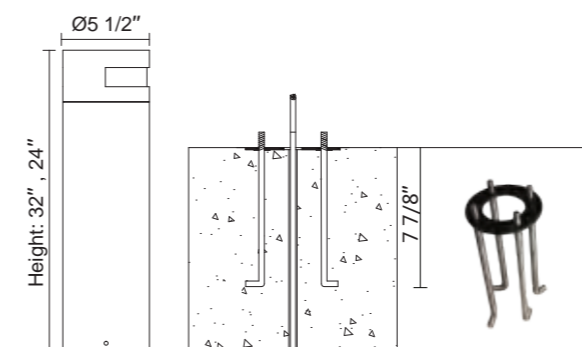
Housing body	Extruded aluminum
Housing Top	Die-cast aluminum
Gasket	Silicone rubber
LED Optic	Polycarbonate Lens
Surface Finish	AkzoNobel powder coating
Driver Type	Constant current
Input Voltage	100~240V/AC
Ambient Temperature	-20°C~45°C
Light Aperture	180°
Ingress Protection	IP65
Certifications	

## RL5035 LED 5W

### Applications

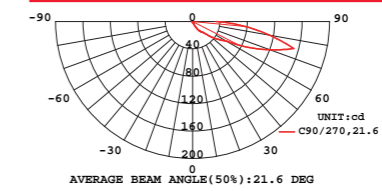
LED bollard featuring a sleek appearance of extruded aluminium column with choices of height and surface finish. The 180° light aperture is ideally suited for illumination of walkways, entrances and access roads where light cutoff is required on either side of the passage.

## Dimensions



Four anchor bolts included (standard)

## Photometric Data



## Ordering Guide:

Example: RL5035 - C5-24-6 - 4 - 80 - B - M

1 Series	2 Power-Height-Diameter	3 CCT	4 Ra	5 Housing Color	6 Accessories
ET5035	C5-24-6: LED 5W-24"-6" C5-32-6: LED 5W-32"-6"	3: 3000K 4: 4000K 6: 6000K	80: Ra80	B: Black RAL9011 W: White RAL9016 G: Gray RAL7012 Z: Mineral bronze S: Silver RAL9006	M: Marine ambient corrosion resistance





## RL5036 LED 15W

### Applications

LED bollard featuring a sleek appearance of extruded aluminium column with choices of height and surface finish. The 180° light aperture is ideally suited for illumination of walkways, entrances and access roads where light cutoff is required on either side of the passage.

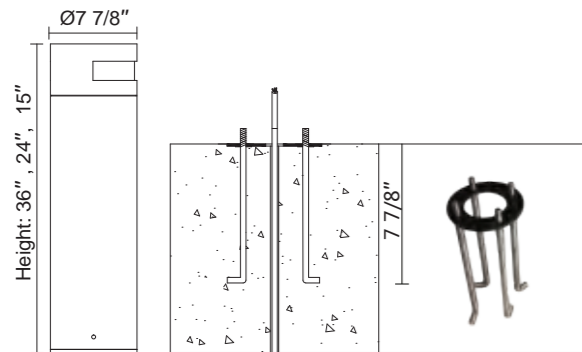
### Specifications

Housing body	Extruded aluminum
Housing Top	Die-cast aluminum
Gasket	Silicone rubber
LED Optic	Polycarbonate Lens
Surface Finish	AkzoNobel powder coating
Driver Type	Constant current
Input Voltage	120~277V/AC
Ambient Temperature	-20°C~45°C
Light Aperture	180°
Ingress Protection	IP65

### Certifications

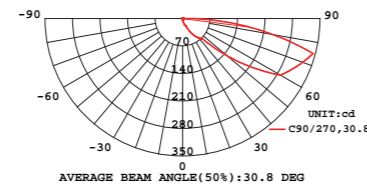


### Dimensions



Four anchor bolts included (standard)

### Photometric Data



### Ordering Guide:

Example: RL5036 - C15-24-8 - 4 - 80 - B - DMG

1 Series	2 Power-Height-Diameter	3 CCT	4 Ra	5 Housing Color	6 Accessories
RL5036	C15-15-8: LED 15W-15"-8" C15-24-8: LED 15W-24"-8" C15-36-8: LED 15W-36"-8"	3: 3000K 4: 4000K 6: 6000K	80: Ra80	B: Black RAL9011 W: White RAL9016 G: Gray RAL7012 Z: Mineral bronze S: Silver RAL9006	M: Marine ambient corrosion resistance DMG: 0-10V Dimming



## RL5060 LED 13W, 23W Stainless Steel

### Applications

LED bollard featuring a sleek appearance of stainless steel column housing for illumination of walkways, entrances and access roads. LED's light is directed onto a conical reflector which, in turn, creates an axially symmetric, broad and uniform beam spread.

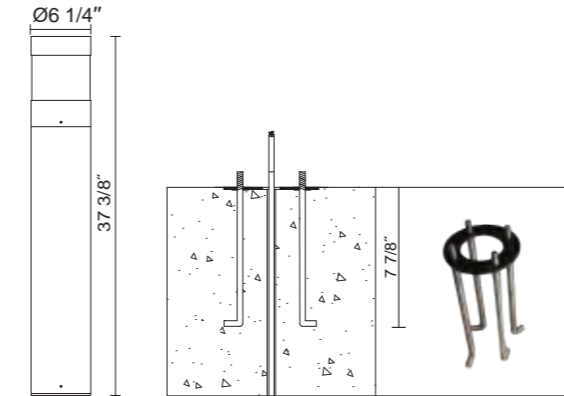
### Specifications

Housing	Stainless steel SS304
Gasket	Silicone rubber
Cover Window	Polycarbonate
Reflector	Aluminum, sand-blasted
Driver Type	Constant voltage
Input Voltage	100~240V/AC
Ambient Temperature	-20°C~45°C
Light Aperture	360°
Ingress Protection	IP65

### Certifications

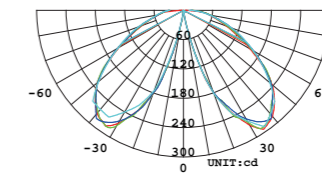


### Dimensions



Four anchor bolts included (standard)

### Photometric Data



### Ordering Guide:

Example: RL5060 - S13-37-6 - 3 - 80 - N

1 Series	2 Power-Height-Diameter	3 CCT	4 Ra	5 Housing Finish
RL5060	S13-37-6: LED 13W-37.4"-6" S23-37-6: LED 23W-37.4"-6"	3: 3000K 4: 4000K 6: 6000K R: Red G: Green B: Blue	80: Ra80	N: Natural steel B: Black finish W: White finish G: Gray finish Z: Bronze finish S: Silver RAL9006