



LED Floodlights



Tianshu series as durable floodlight, finished with COB led and specially-made reflector. High lighting output will be delivered. CRI is up to Ra90. The lighting beam conforms to the original color of the objects, vivid and splendid. 2700K and 4000K are two basic options, which can meet any design or requirement. Die-casting aluminum housing with pre-designed internal thermal dissipation structure and exterior frame.

No ultraviolet radiation or infrared ray makes Tianshu have very little effect on environment, low energy consumption, low maintenance cost. Lamp lifetime will be much longer than anyother traditional luminaires.

No certain installation holes makes tianshu can be fixed to wall or ground or other foundation easily. Spike as an accessory makes. Tianshu fixed to grassplot or sand dune easily and perform very well. IP65 makes tianshu can be used in some wet places, ultraviolet radiation and rain have no effect on it . Some improvements should be took to make sure tianshu can be used near seaside if it's needed, and you're required to clarify this point before purchasing.

Tianshu will be applied widely for building wall, accent lighting, sculpture, artistic decoration or greenbelt, tree, flowers and grass and other places...

Tianshu is a perfect combination between high technology and industrial design, it'll be the first and best option to every customer for it's availability and durability.





RL7303 LED 6W, RL7304 LED 11W

Applications

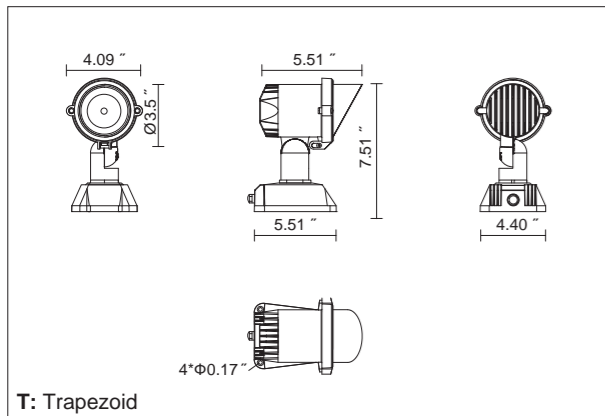
COB LED floodlights with two styles of gear boxes, multiple beam angle options and glare shields for mounting on ground, walls and lawns in commercial and residential applications of accent lighting, façade lighting and landscape lighting.

Specifications

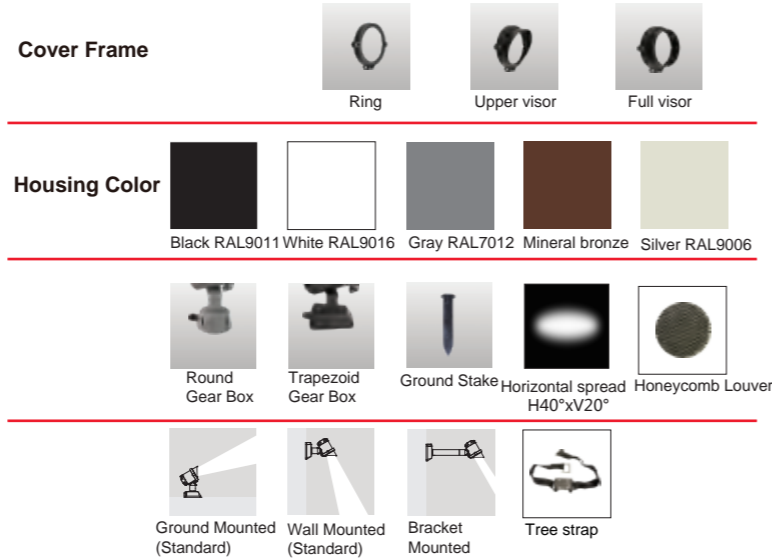
Housing	Die-cast aluminum
Gasket	Silicone rubber
Front Cover	Tempered Glass
Reflector	Anodized aluminum 1090
Surface Finish	AkzoNobel powder coating
Driver Type	Constant current
Input Voltage	100~277V/AC
Ambient Temperature	-20°C~45°C
Ingress Protection	IP65



Dimensions



Options and Accessories



Ordering Guide:

Example: RL7303 C6 - 4 - 30 - 80 - CV - T - B - S

1	2	3	4	5	6	7	8
Series Power	CCT	Beam angle	Ra	Cover Frame	Gear box	Housing Color	Accessories
RL7303 C6: COB 6W	3: 3000K	15: 15°	80: Ra80	CR: Ring	R: Round	B: Black RAL9011	S: Ground Stake
RL7304 C11: COB11W	4: 4000K	30: 30°		CV: Upper visor	T: Trapezoid	W: White RAL9016	P: Tree strap
	5: 5000K	40: 40°		CF: Full visor		G: Gray RAL7012	H: Honeycomb Louver
		4020: H40°xV20°				Z: Mineral bronze	B3: 3ft bracket
						S: Silver RAL9006	B6: 6ft bracket
							M: Marine ambient corrosion resistance
							MT: Mounting plate for standard junction box



RL7305 LED 20W, RL7306 LED 27W

Applications

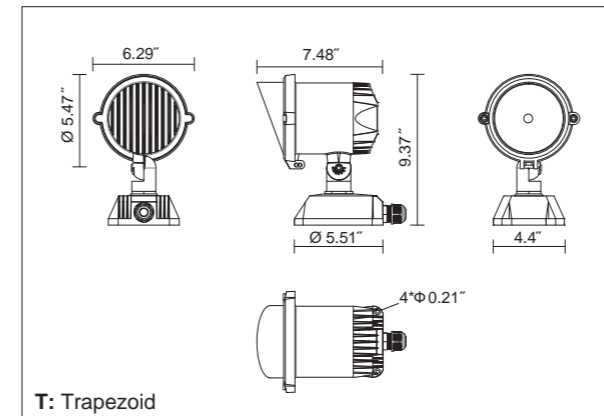
COB LED floodlights with two styles of gear boxes, multiple beam angle options and glare shields for mounting on ground, walls and lawns in commercial and residential applications of accent lighting, façade lighting and landscape lighting.

Specifications

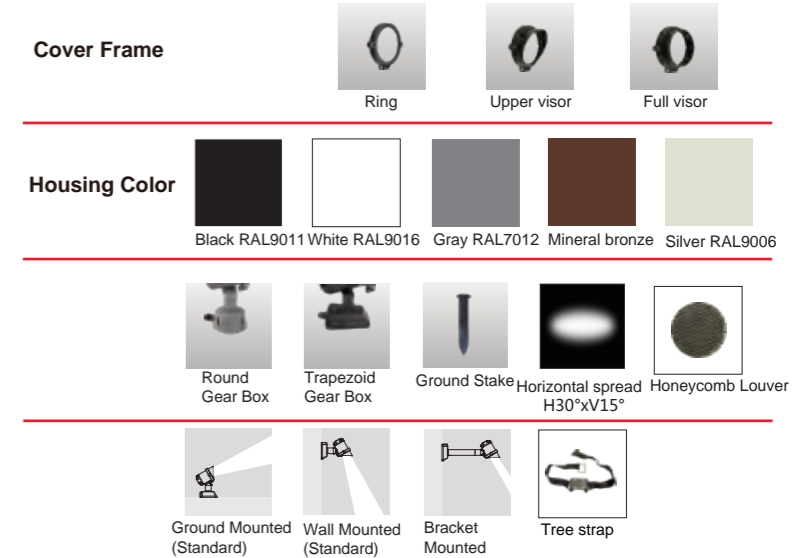
Housing	Die-cast aluminum
Gasket	Silicone rubber
Front Cover	Tempered Glass
Reflector	Anodized aluminum 1090
Surface Finish	AkzoNobel powder coating
Driver Type	Constant current
Input Voltage	120~277V/AC
Ambient Temperature	-20°C~45°C
Ingress Protection	IP65



Dimensions



Options and Accessories



Ordering Guide:

Example: RL7305 C20 - 4 - 30 - 80 - CV - T - B - S

1	2	3	4	5	6	7	8
Series Power	CCT	Beam angle	Ra	Cover Frame	Gear box	Housing Color	Accessories
RL7305 C20: COB 20W	3: 3000K	15: 15°	80: Ra80	CR: Ring	R: Round	B: Black RAL9011	S: Ground Stake
RL7306 C27: COB 27W	4: 4000K	30: 30°		CV: Upper visor	T: Trapezoid	W: White RAL9016	P: Tree strap
	5: 5000K	45: 45°		CF: Full visor		G: Gray RAL7012	H: Honeycomb Louver
		3015: H30°xV15°				Z: Mineral bronze	B3: 3ft bracket
						S: Silver RAL9006	B6: 6ft bracket
							DMG: 0-10V Dimming
							M: Marine ambient corrosion resistance
							MT: Mounting plate for standard junction box



Specifications

Housing	Die-cast aluminum
Gasket	Silicone rubber
Front Cover	Tempered Glass
Reflector	Anodized aluminum 1090
Surface Finish	AkzoNobel powder coating
Driver Type	Constant current
Input Voltage	100~240V/AC
Ambient Temperature	-20°C~45°C
Ingress Protection	IP65

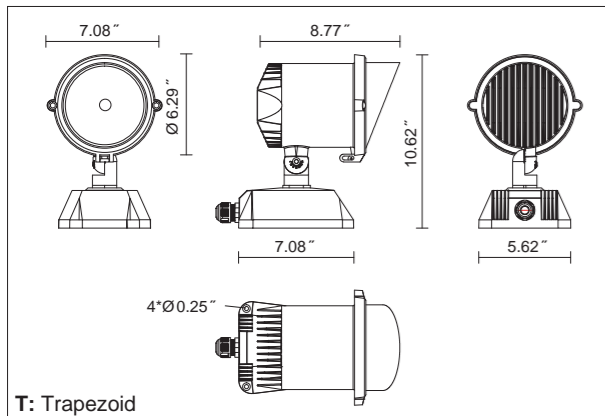


RL7307 LED 36W, RL7308 LED 48W

Applications

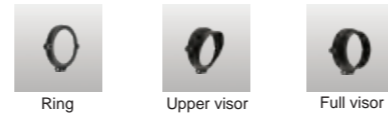
COB LED floodlights with two styles of gear boxes, multiple beam angle options and glare shields for mounting on ground, walls and lawns in commercial and residential applications of accent lighting, façade lighting and landscape lighting.

Dimensions

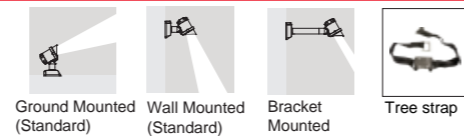
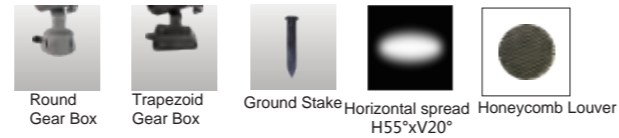
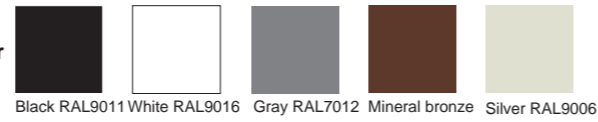


Options and Accessories

Cover Frame



Housing Color



LED Linear Luminaires



Ordering Guide:

Example: RL7307 C36 - 4 - 30 - 80 - CV - T - B - H

1	2	3	4	5	6	7	8
Series Power	CCT	Beam angle	Ra	Cover Frame	Gear box	Housing Color	Accessories
RL7307 C36: COB 36W	3: 3000K	15: 15°	80: Ra80	CR: Ring	R: Round	B: Black RAL9011	S: Ground Stake
RL7308 C48: COB 48W	4: 4000K	30: 30°		CV: Upper visor	T: Trapezoid	W: White RAL9016	P: Tree strap
	5: 5000K	45: 45°		CF: Full visor		G: Gray RAL7012	H: Honeycomb Louver
		3618: H36°xV18°				Z: Mineral bronze	B3: 3ft bracket
						S: Silver RAL9006	B6: 6ft bracket
							DMG: 0-10V Dimming
							M: Marine ambient corrosion resistance
							MT: Mounting plate for standard junction box