

Murales surfaces pour allées






RL2003 LED 12W

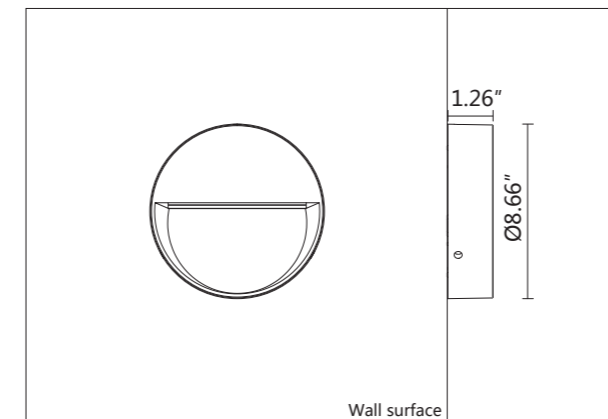
Applications

Surface mounted step light with smooth baffle, elegant and discreet, ideally suited for illuminating pathways and architectural surface perimeters.

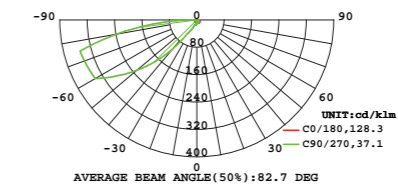
Specifications

Housing	Die-cast aluminum
Baffle Faceplate	Die-cast aluminum
Gasket	Silicone rubber
LED Optic	Tempered Glass
Surface Finish	AkzoNobel powder coating
Driver Type	Constant current
Input Voltage	120~277V/AC
Ambient Temperature	-20°C~45°C
Beam Angle	Asymmetric
Ingress Protection	IP65
Certifications	

Dimensions



Photometric Data




Ordering Guide:

Example: ¹RL2003 - ²C12 - ³4 - ⁴80 - ⁵B - ⁶DMG

Series	Power	CCT	Ra	Housing Color	Accessories
RL2003	C12: LED 12W	3: 3000K 4: 4000K 6: 6000K	80: Ra80	B: Black RAL9011 W: White RAL9016 G: Gray RAL7012 Z: Mineral bronze S: Silver RAL9006	M: Marine ambient corrosion resistance DMG: 0-10V Dimming



Specifications

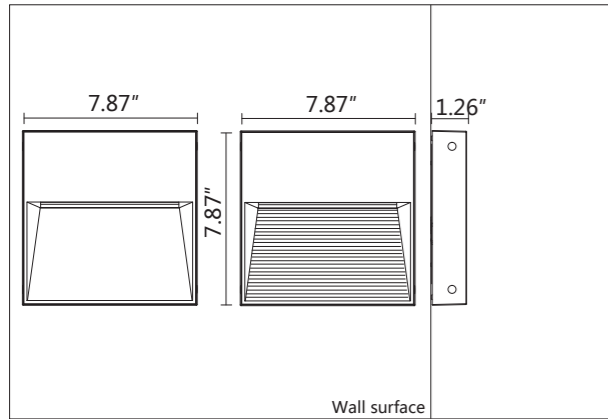
Housing	Die-cast aluminum
Baffle Faceplate	Die-cast aluminum
Gasket	Silicone rubber
LED Optic	Tempered Glass
Surface Finish	AkzoNobel powder coating
Driver Type	Constant current
Input Voltage	120~277V/AC
Ambient Temperature	-20°C~45°C
Beam Angle	Asymmetric
Ingress Protection	IP65
Certifications	

RL2004 LED 12W

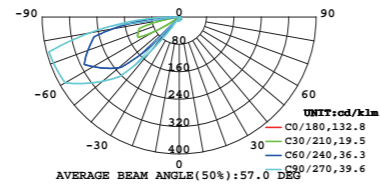
Applications

Surface mounted step light with choices of smooth and stepped baffles, elegant and discreet, ideally suited for illuminating pathways and architectural surface perimeters.

Dimensions



Photometric Data




Ordering Guide:

Example: RL2004 - C12 - 4 - 80 - ST - B

1 Series	2 Power	3 CCT	4 Ra	5 Baffle	6 Faceplate colour	7 Accessories
RL2004	C12:LED 12W	3: 3000K 4: 4000K 6: 6000K	80: Ra80	SM: Smooth ST: Stepped	B: Black RAL9011 W: White RAL9016 G: Gray RAL7012 Z: Mineral bronze S: Silver RAL9006	M: Marine ambient corrosion resistance DMG: 0-10V Dimming



Specifications

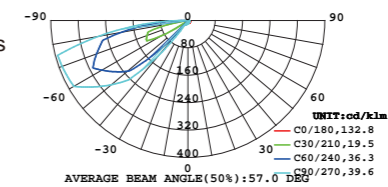
Housing	Die-cast aluminum
Baffle Faceplate	Die-cast aluminum
Gasket	Silicone rubber
LED Optic	Tempered Glass
Surface Finish	AkzoNobel powder coating
Driver Type	Constant current
Input Voltage	120~277V/AC
Ambient Temperature	-20°C~45°C
Beam Angle	Asymmetric
Ingress Protection	IP65
Certifications	

RL2005 LED 15W

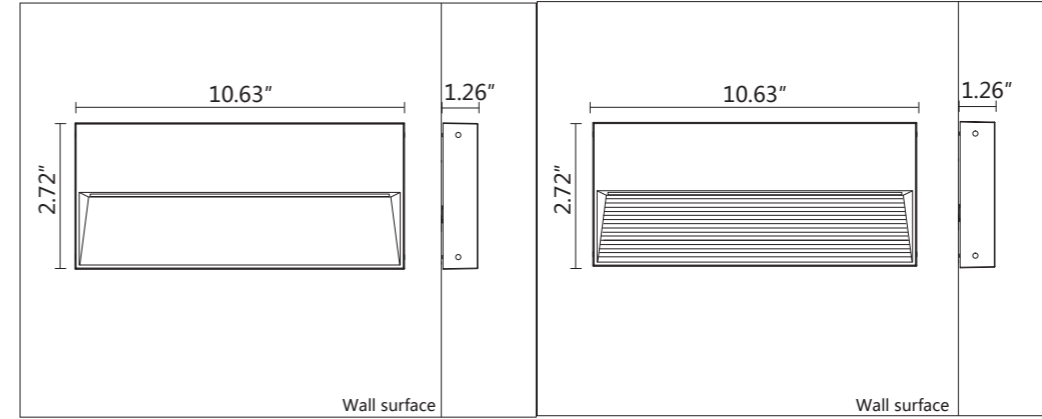
Applications

Surface mounted step light with choices of smooth and stepped baffles, elegant and discreet, ideally suited for illuminating pathways and architectural surface perimeters.

Photometric Data



Dimensions



Ordering Guide:

Example: RL2005 - C15 - 4 - 80 - SM - B

1 Series	2 Power	3 CCT	4 Ra	5 Baffle	6 Faceplate colour	7 Accessories
RL2005	C15:LED 15W	3: 3000K 4: 4000K 6: 6000K	80: Ra80	SM: Smooth ST: Stepped	B: Black RAL9011 W: White RAL9016 G: Gray RAL7012 Z: Mineral bronze S: Silver RAL9006	M: Marine ambient corrosion resistance DMG: 0-10V Dimming