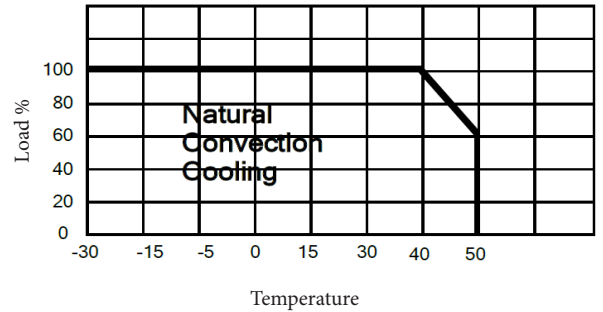


Alimentation DEL

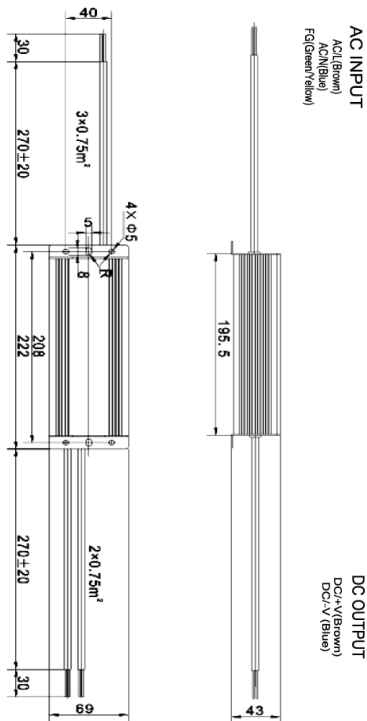
Nom du projet : _____ Date : _____
 Type : _____ Quantité : _____



Derating curve



Dimensions



Description

Alimentation DEL pour endroit humide. Peut être installé à l'intérieur ou à l'extérieur.

Spécifications

OUTPUT		
DC Voltage	12 Vdc	24 Vdc
Rated Current	10,0A	5,0A
Current range	0 - 10,0A	0 - 5,0A
Rated power	120W	120W
Ripple & noise (max)	150mV	150mV
Voltage Tolerance	12Vdc +/- 5%	24Vdc +/- 5%
Setup Rise Time	80ms / 110,220Vac	80ms / 110,220Vac
Hold up time (Typ.)	60ms / 110,220Vac	60ms / 110,220Vac
INPUT		
Voltage range	100 - 265Vac	100 - 265Vac
Frequency range	50 - 60Hz	50 - 60Hz
Power factory (Typ.)	0,95	0,95
Efficiency (Typ.)	> 88%	> 88%
AC Current (Typ.)	0,92A / 110, 0,86A / 220 Vac	0,92A / 110, 0,86A / 220 Vac
Inrush Current (Typ.)	Cold start 50A / 110,220Vac	
PROTECTION		
Short circuit	Protection type : recovers automatically after condition is removed	
Overload	Overload protected @ 145-160% above peak rating	
Over temperature	Protection type : Shutdown o/p voltage, re-power on to recover	
ENVIRONMENT		
Working temperature	-30 @ 50 °C (Refer to output load derating curve)	
Working humidity	20 @ 99% RH non-condensing (Waterproof)	
Storage Temp. / Humidity	-40 @ 80 °C, 10 @ 99%	
SAFETY & EMC		
Safety Standard	ETL, CE Mark (LVD), IP67	
Withstand voltage	I/P - O/P : 1,5KVAC IP-GND : 1,5KVAC	
EMC Test standards	EN55015:2006;EN61547:1995+2000;EN61000-3-2:2006 EN61000-3-3:1995+A2:2005;EN61346-1:2001;EN61347-2-13:2006	

NOTE

Voltage de sortie

1. All parameters NOT specially mentioned re measured at 110Vac,220Vac input, rated load and 25 °C of ambient temperature
2. Ripple & Noise are measured at 20MHz of bandwidth by using 12" twisted pair-wire terminated with a 0.1uF & 10uF parallel capacitor
3. Tolerance : includes set up tolerance, line regulation an load regulation

